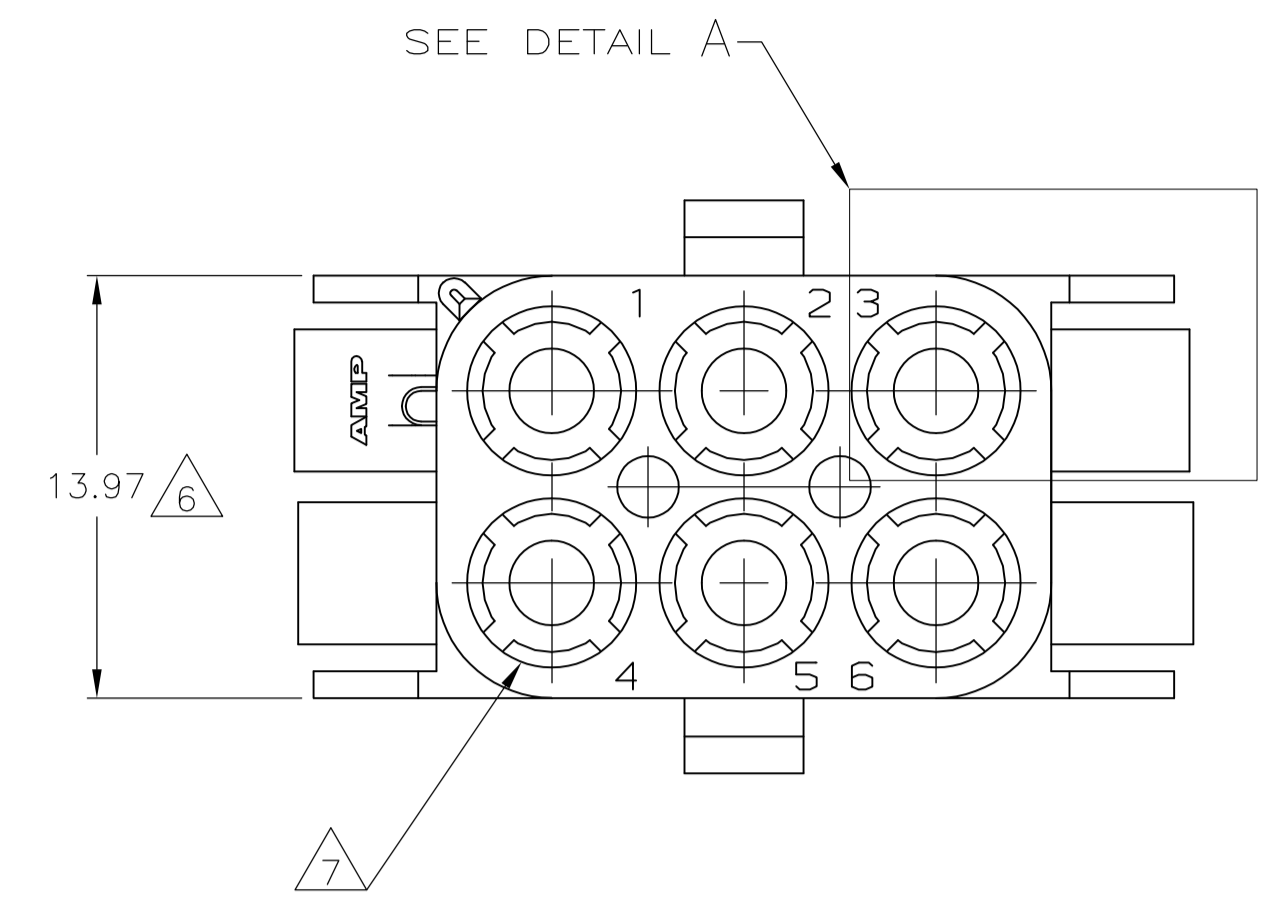
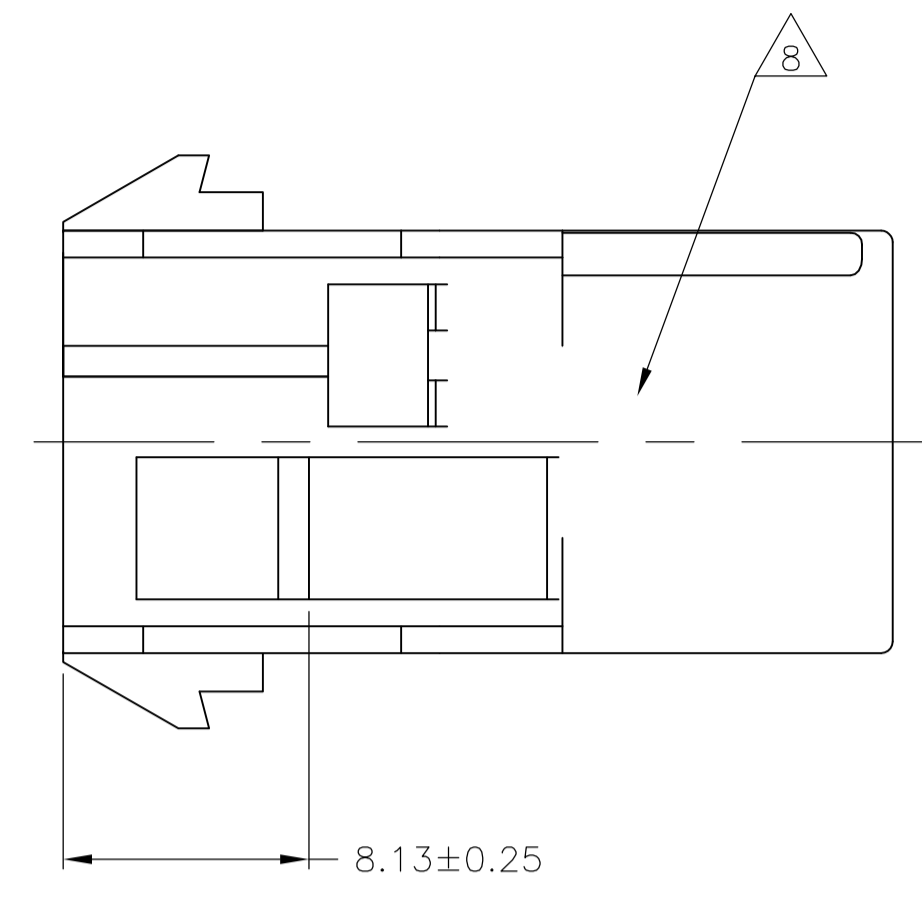
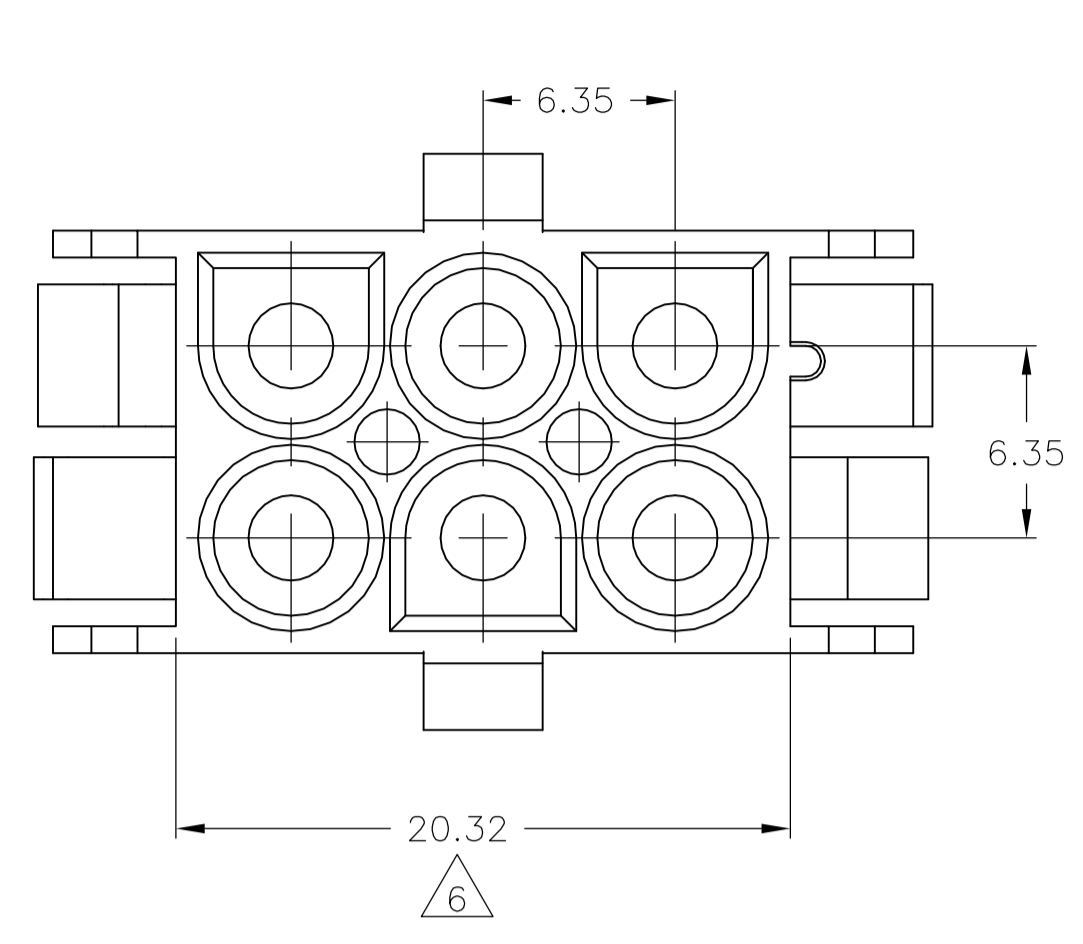
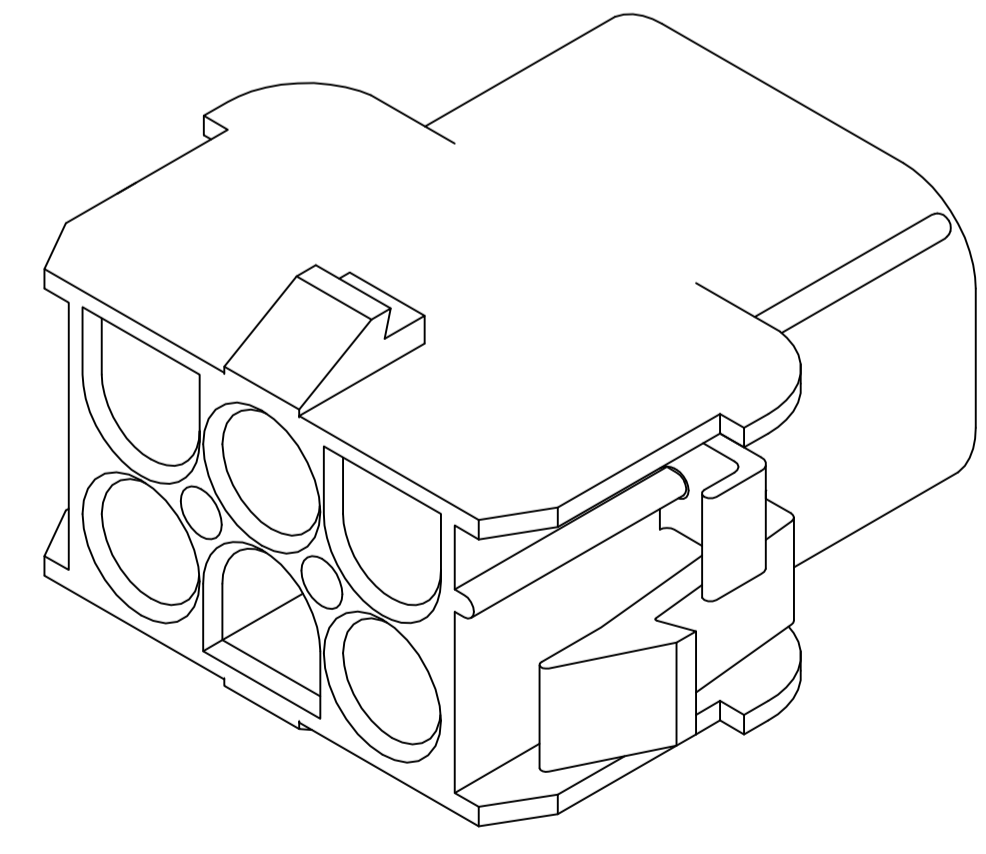
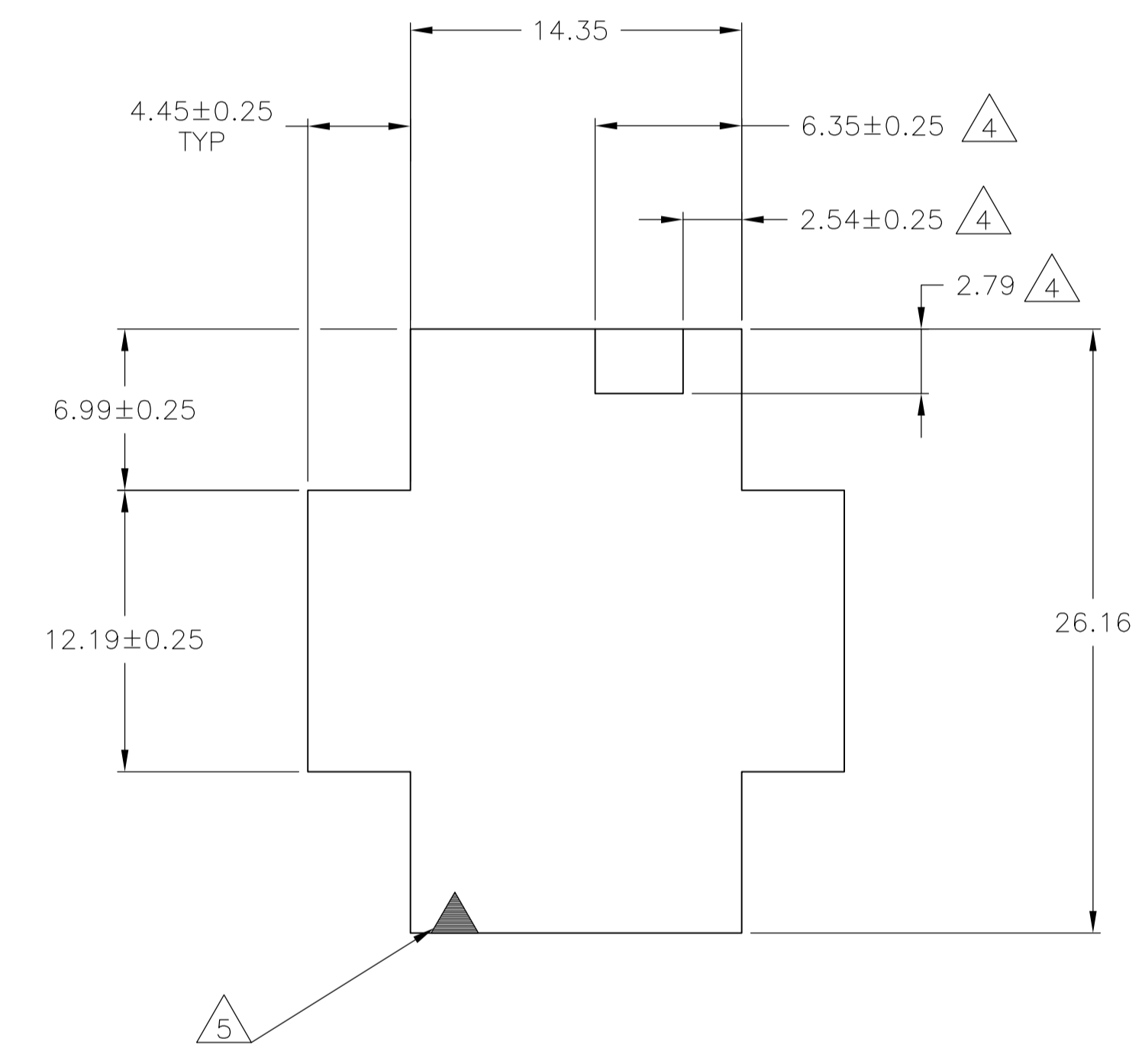
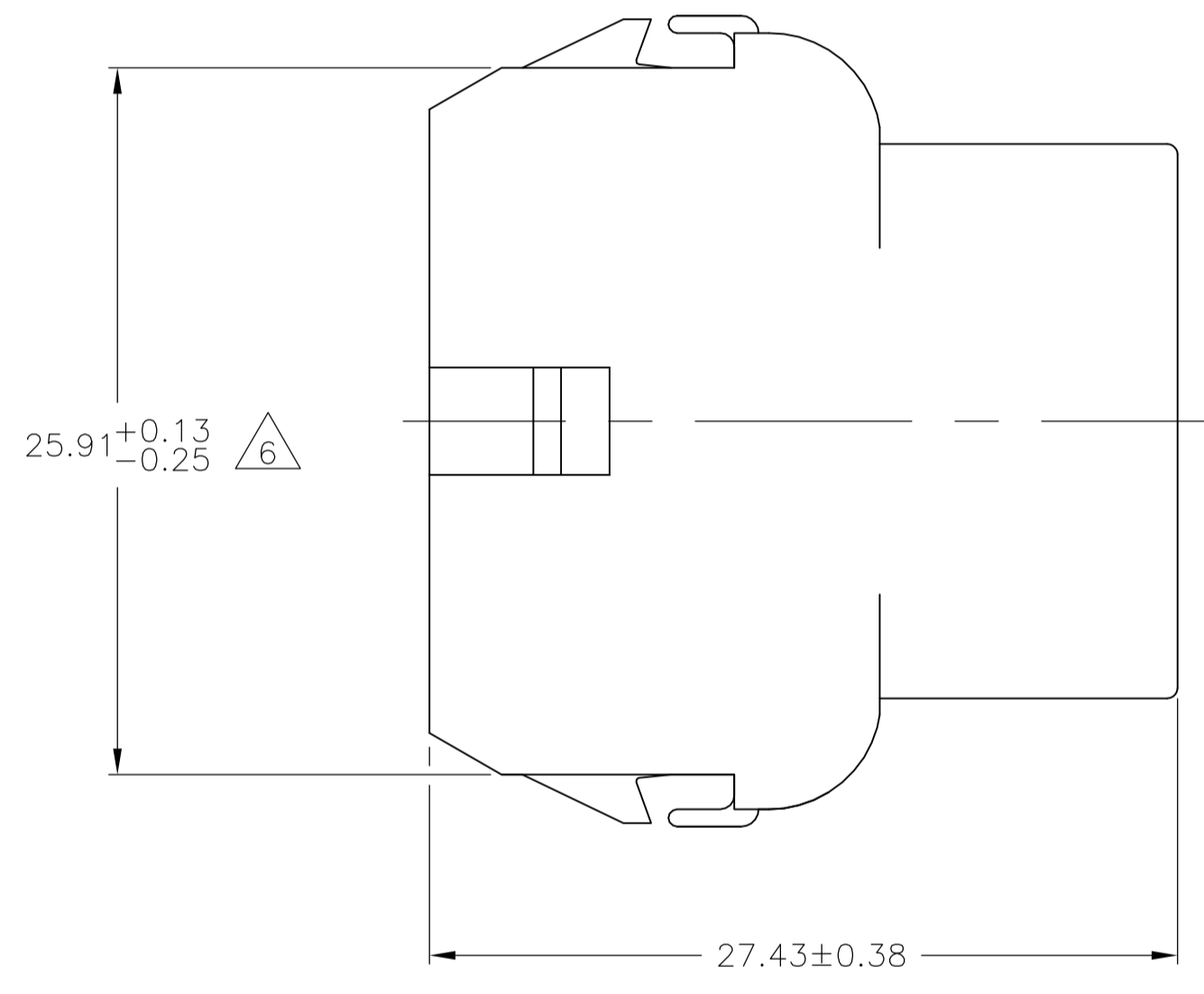
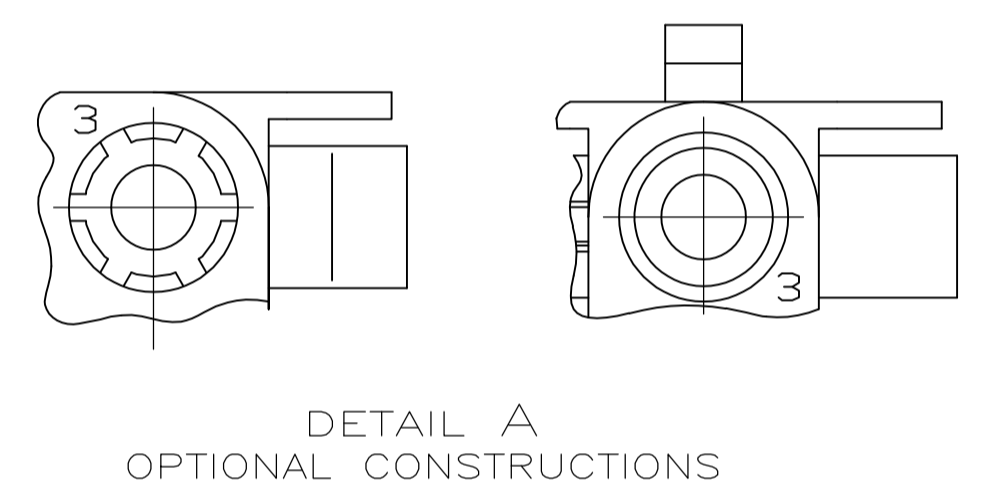


LOC		DIST		REVISIONS			
CM	00	REV	DATE	BY	CHK	APPV	
AP3	REVISED PER ECR-11-020221		10OCT11	KH	TM		



- 1 MATES WITH APPROPRIATE UNIVERSAL MATE-N-LOK™ PLUG.
- 2 RECOMMENDED PANEL THICKNESS 0.76 - 2.29.
- 3 PANEL MUST BE PUNCHED SO THAT THE HOUSING ENTERS THE PANEL IN THE SAME DIRECTION AS THE PUNCH.
- 4 OPTIONAL FOR KEYING HOUSING IN PANEL.
- 5 CIRCUIT NUMBER 1 LOCATION.
- 6 DIMENSION INDICATED IS AS MOLDED. ADDITIONAL GROWTH DUE TO SUBSEQUENT MOISTURE ABSORPTION MAY OCCUR.
- 7 FOUR RIBS EQUALLY SPACED, NO SPECIFIC ORIENTATION. NO RIBS OR SIX RIBS EQUALLY SPACED, NO SPECIFIC ORIENTATION, OPTIONAL.
- 8 UNDERWRITERS RECOGNIZED COMPONENT LOGO AND CSA CERTIFICATION LOGO TO BE LOCATED ONCE EACH ON SIDE OF HOUSING.
- 9 OBSOLETE PARTS: OBSOLETE CIS STREAMLINING PER D.RENAUD/D.SINISI

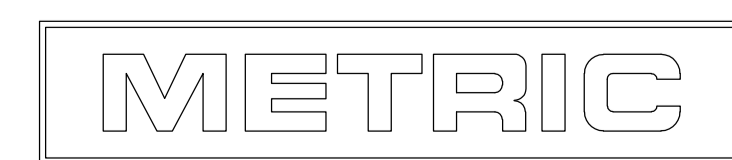


3-DIMENSIONAL MODEL NTS

MM	IN	MM	IN
6.35	.250	27.43	1.080
4.45	.175	26.16	1.030
2.79	.110	25.91	1.020
2.54	.100	20.32	.800
2.29	.090	14.35	.565
0.76	.030	13.97	.550
0.38	.015	12.19	.480
0.25	.010	8.13	.320
0.13	.005	6.99	.275
MM	IN	MM	IN

CONVERSION TABLE

	BLACK	1-480705-9
	GREY	1-480705-8
	BLUE	1-480705-6
	GREEN	1-480705-5
	YELLOW	1-480705-4
	ORANGE	1-480705-3
	RED	1-480705-2
	BROWN	1-480705-1
	NATURAL	1-480705-0
	COLOR	PART NUMBER

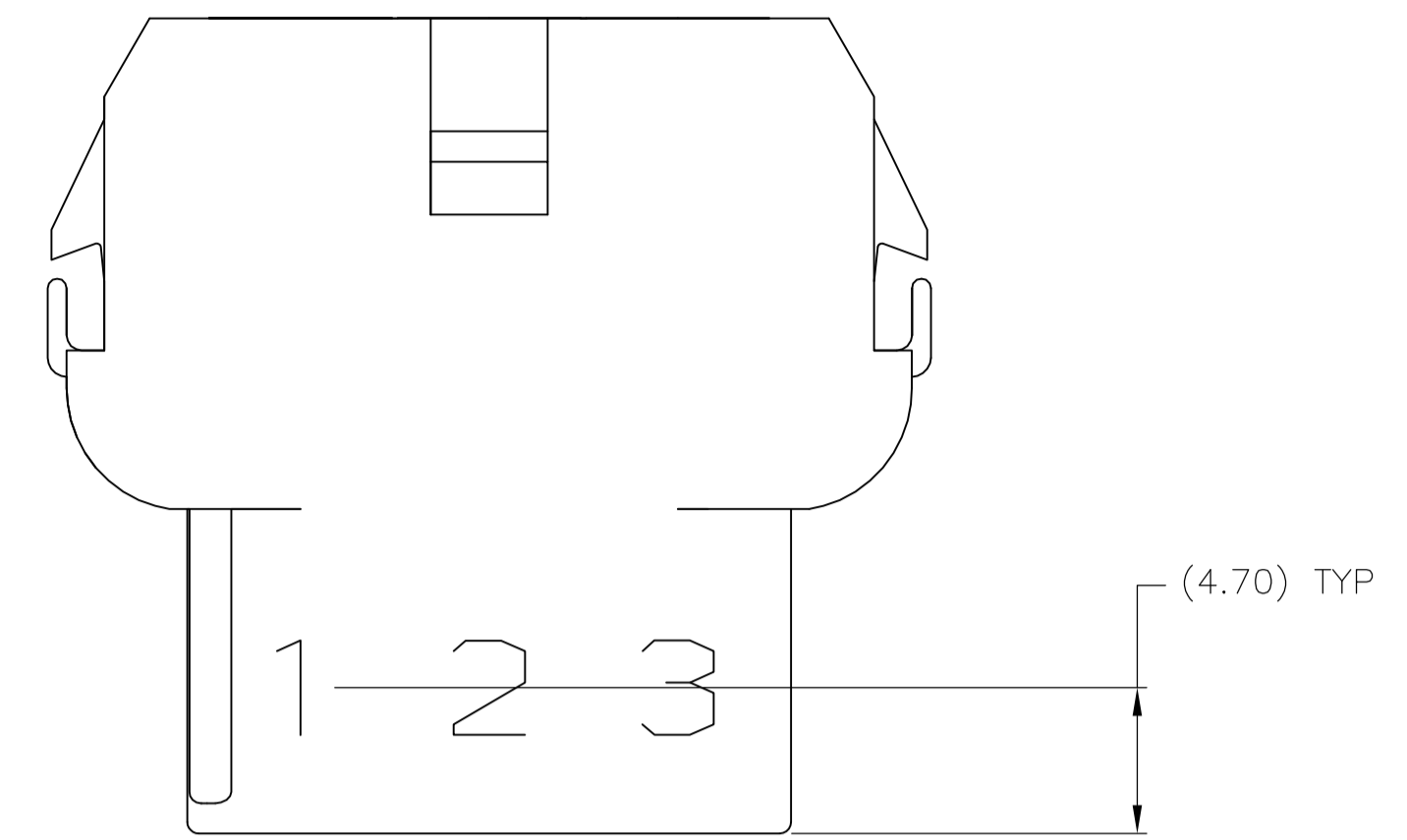


THIS DRAWING IS A CONTROLLED DOCUMENT.

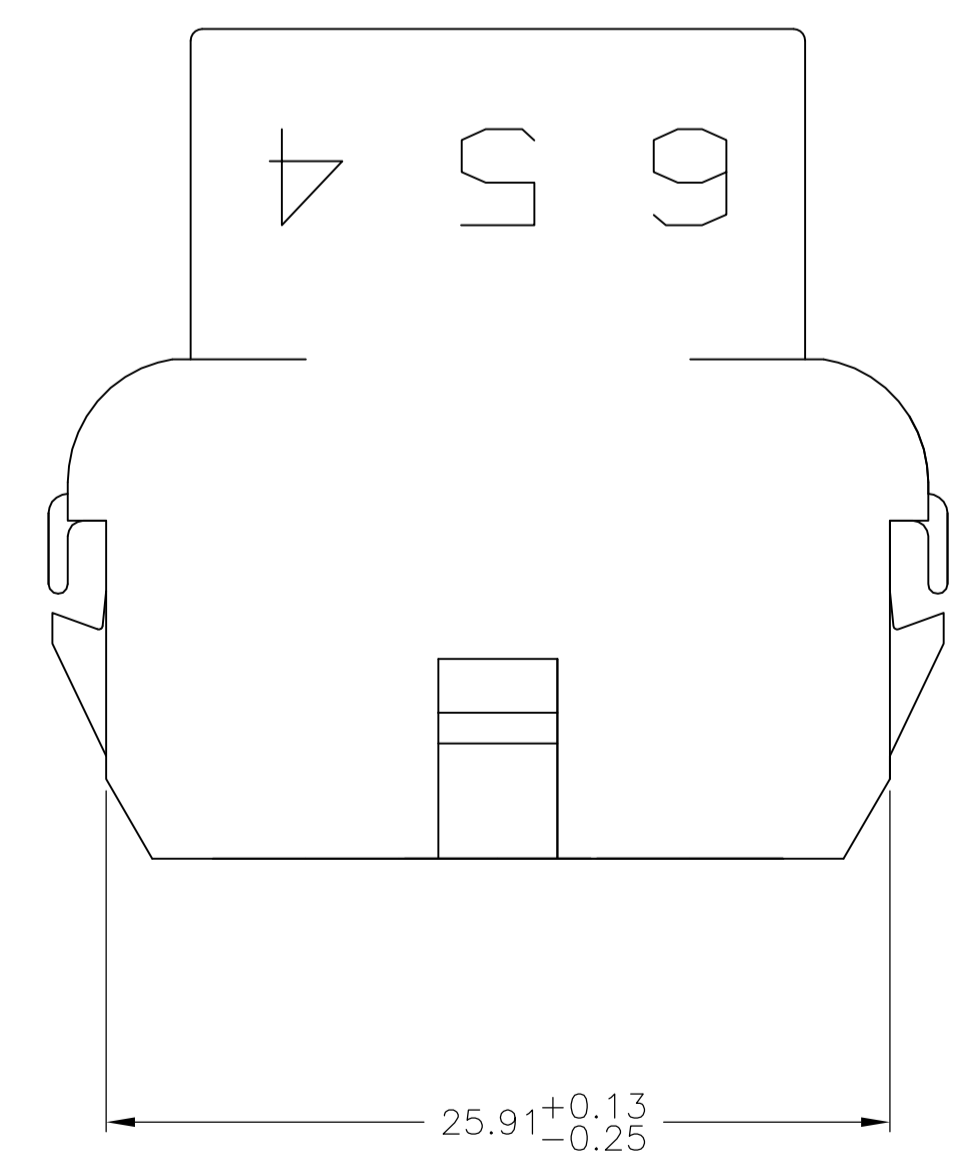
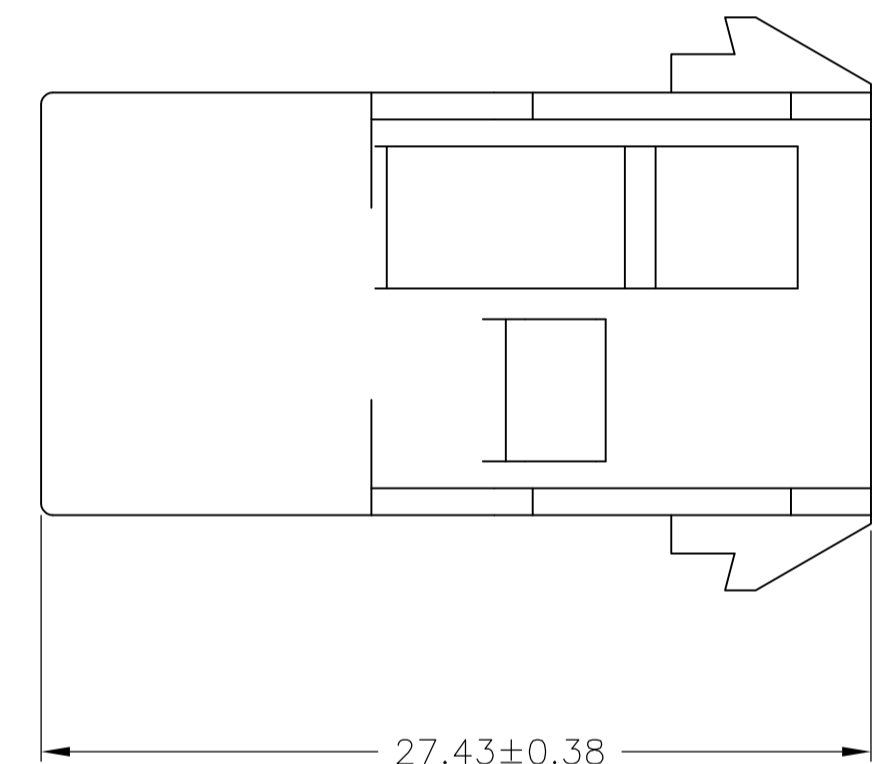
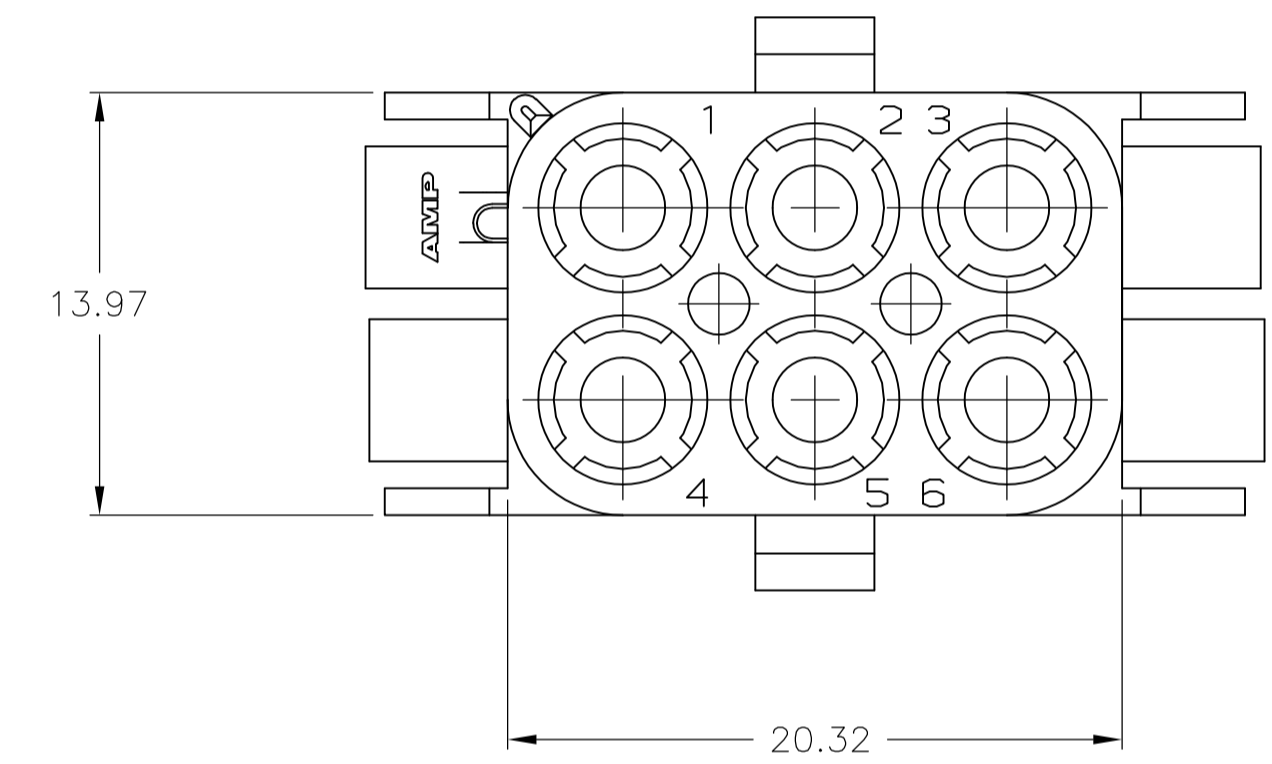
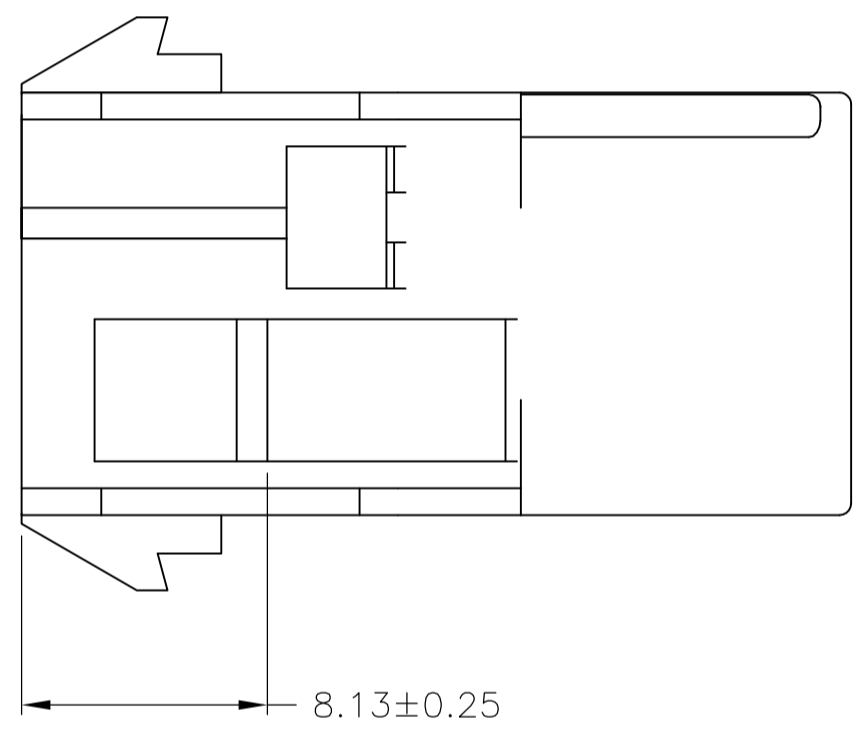
DIMENSIONS: mm	TOLERANCES UNLESS OTHERWISE SPECIFIED:	DWG: K. WHITAKER 28JUL04	CHK: S. RIDGILL 28JUL04	APPV: S. RIDGILL 28JUL04	NAME: CAP. 6 CIRCUIT, UNIVERSAL MATE-N-LOK™
0. PLC ± -	1. PLC ± -	2. PLC ± 0.127	3. PLC ± -	4. PLC ± -	ANGLES ± 0.30°
MATERIAL: NYLON, UL94V-2	FINISH: -	WEIGHT: -	SIZE: A1	SCALE: 4:1	SHEET: 1 OF 2

CUSTOMER DRAWING

LOC		DIST		REVISIONS				
CM	00	PL	LTR	DESCRIPTION	DATE	DN	APVD	
-	-	-	-	SEE SHEET 1	-	-	-	



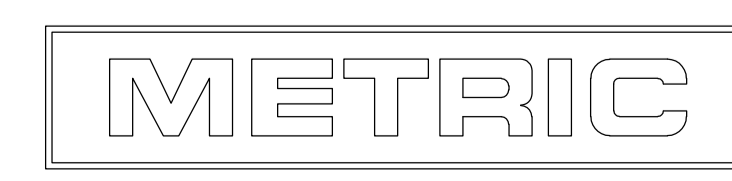
- 1 STAMP NUMBERS 3.18 HIGH AT WIRE END OF HOUSING (12 POINT DAVID TYPE); CLARIFICATION MARKS UNDER THE 6 & 9.
- 2 CHARACTERS TO BE STAMPED ON HOUSING IN A MANNER AS TO BE READ FROM WIRE END ONLY.
- 3 VIOLET, BLACK, BROWN, AND BLUE COLORED BLOCKS TO BE STAMPED WITH WHITE CHARACTERS. ALL OTHER COLORED BLOCKS TO BE STAMPED WITH BLACK CHARACTERS.



MM	IN	MM	IN
5.08	.200	-	-
4.70	.185	27.43	1.080
3.18	.125	25.91	1.020
0.38	.015	20.32	.800
0.25	.010	13.97	.550
0.13	.005	8.13	.320

CONVERSION TABLE

NATURAL	2-480705-0
COLOR	PART NO.



THIS DRAWING IS A CONTROLLED DOCUMENT.

DIMENSIONS:	TOLERANCES UNLESS OTHERWISE SPECIFIED:	DIN K. WHITAKER 28JUL04	NAME
mm	0. PLC ± -	CHK S. RIDGILL 28JUL04	TE Connectivity
	1. PLC ± -	APVD S. RIDGILL 28JUL04	CAP.
	2. PLC ± 0.127	PRODUCT SPEC	6 CIRCUIT,
	3. PLC ± -	APPLICATION SPEC	UNIVERSAL MATE-N-LOK™
	4. PLC ± -	RESTRICTED TO	
MATERIAL	FINISH	SIZE	SCALE
-	-	A1 00779	4:1
CUSTOMER DRAWING		DRAWING NO. C=480705	SHEET 2 OF 2
		REV AP3	